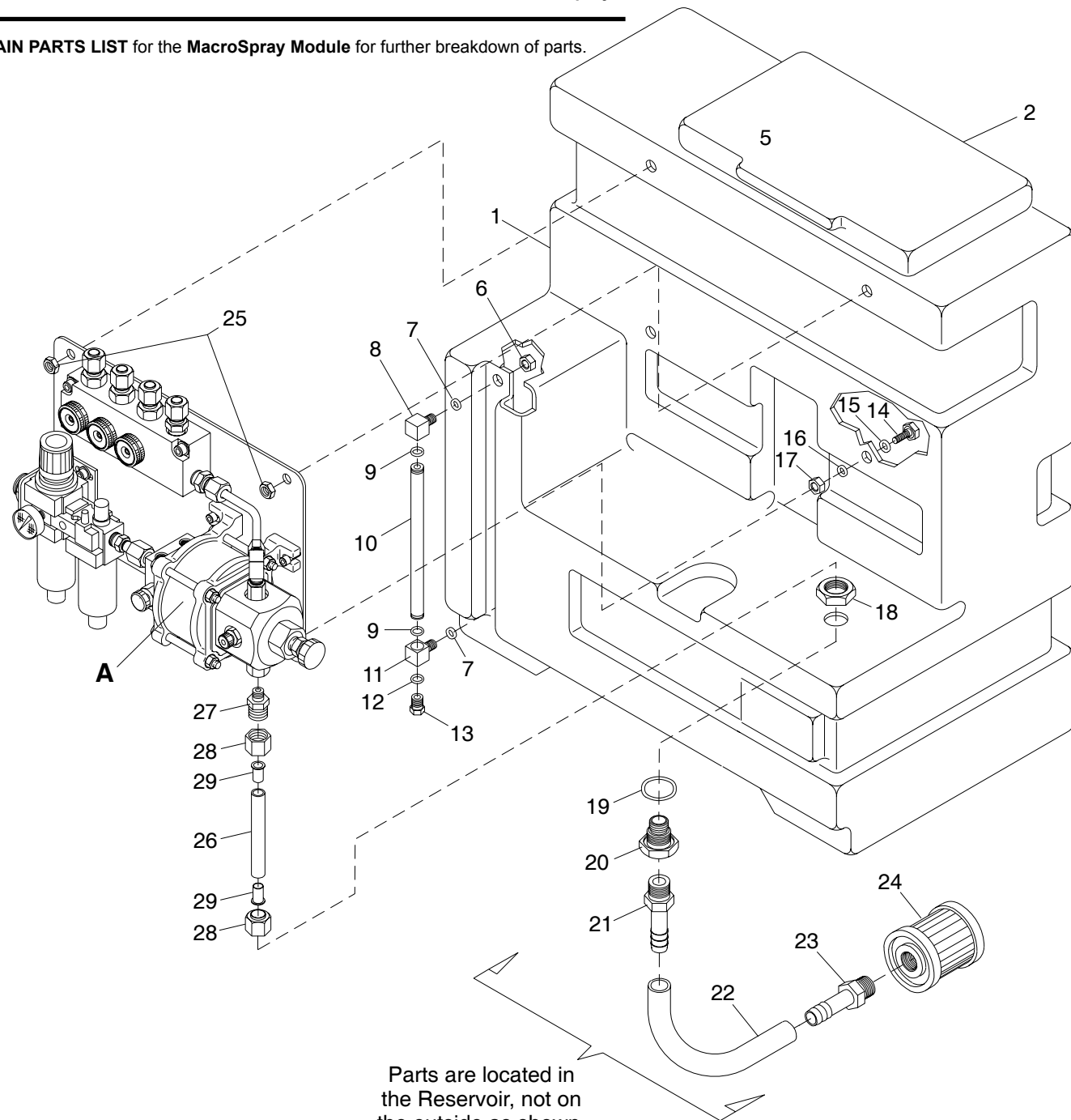


## REPLACEMENT PARTS LISTING

### MAIN PARTS LIST (reference Figure #3) for the MacroSpray Reservoir Module P775-B

Key Part No.	No. Pcs	Description -or- Part Name	Key Part No.	No. Pcs	Description -or- Part Name
1	1	RESERVOIR, Fluid:	16	4	WASHER, Plain: 1/2"
2	1	COVER, Lid: tank	17	4	NUT, Hexagon: heavy
3	2	HINGE, Plastic:	18	1	NUT, Special: jam
4	8	SCREW, Flat hd: soc	19	1	RING, "O" type: seal
5	8	NUT, Insert: pem	20	1	OUTLET, Bulkhead:
6	2	NUT, Hexagon: jam	21	1	FITTING, Adapter: plastic
7	2	RING, "O" type: seal	22	1	TUBE, Plastic:
8	1	INLET, Sight:	23	1	FITTING, Adapter:
9	2	RING, "O" type: seal	24	1	FILTER, Fluid:
10	1	PIPE, Plastic: sight	25	4	NUT, Jam: locking
11	1	OUTLET, Sight:	26	1	TUBE, Plastic:
12	1	RING, "O" type: seal	27	1	FITTING, Adapter: comp
13	1	PLUG, Sight:	28	2	FITTING, Nut:
14	4	BRACKET, Mounting:	29	2	FITTING, Support: tube
15	4	RING, "O" type: seal	**A	1	MacroSpray Module

\*\* See MAIN PARTS LIST for the MacroSpray Module for further breakdown of parts.

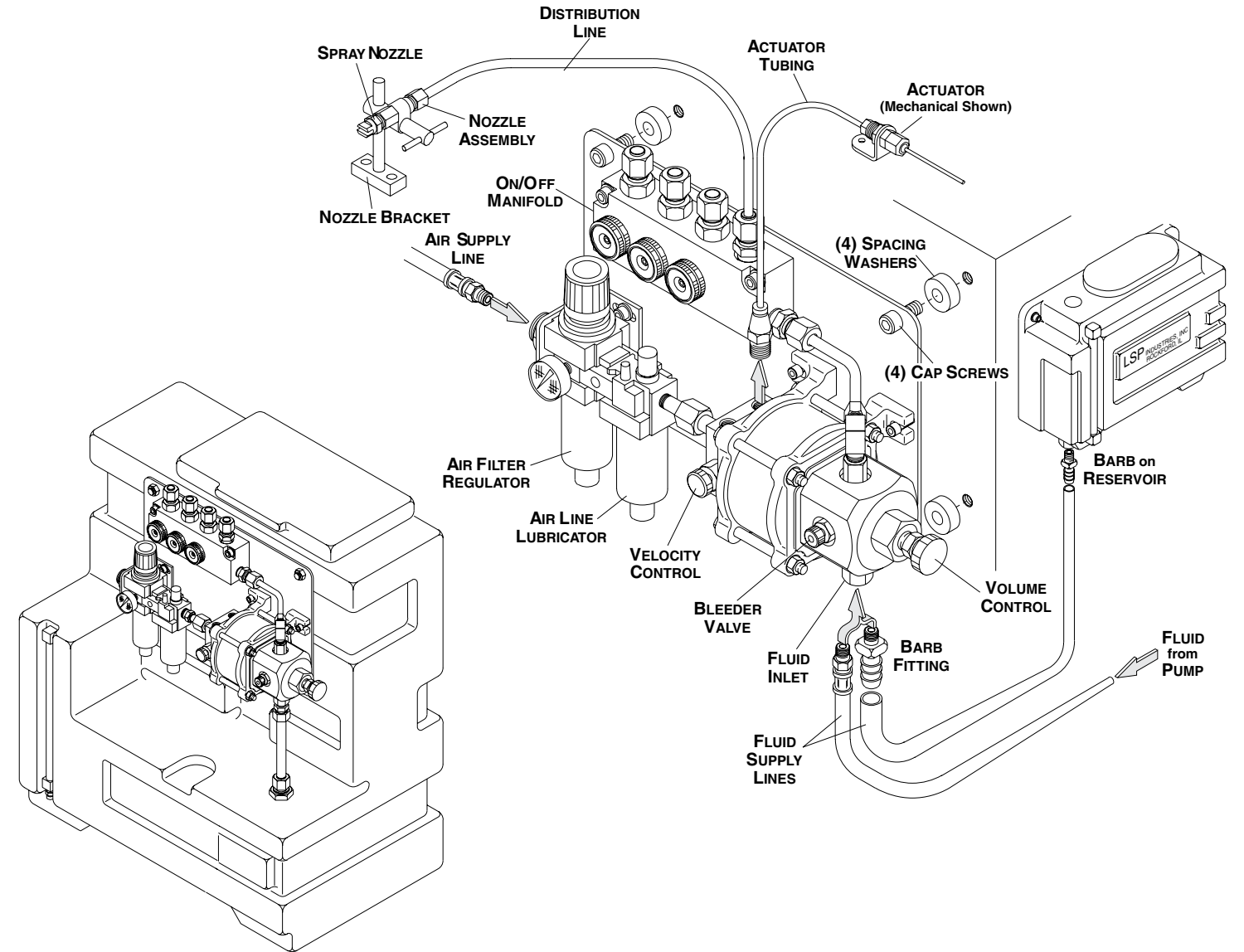


## INSTALLATION, OPERATION, and TROUBLESHOOTING

### with REPLACEMENT PARTS LISTING for the MacroSpray Module Model P-750-B & P-775-B Supercedes P-750 and P-775



P.O. Box 5303, ROCKFORD, IL • 61125  
2511-20TH ST., ROCKFORD, IL • 61104  
TEL: 815-226-8090 • FAX: 815-226-9250  
E-MAIL: SALES@LSPIND.COM



### SUPPLEMENTAL INSTRUCTIONS

These **INSTRUCTIONS** rely heavily on information found in supplemental Instruction Sheets. Before starting, make sure that the **INSTALLATION, OPERATION, and TROUBLESHOOTING** Instructions with the following subtitles are available for reference.

- **for the MacroSpray Model No. P175-B**  
Describes the operation and maintenance of the MacroSpray. The MacroSpray provides the lubricant spraying function.
- **for the On/Off Manifold Model P924**  
Describes using the **ON/OFF MANIFOLD** to split-up and control the **DISTRIBUTION LINES**.
- **for the (appropriate ACTUATOR chosen)**  
Describes the device chosen to actuate the **UNIT**. There are a variety of these. You must have one to operate the **UNIT**, and along with it, must have its Instruction Sheet.

If any of the Instruction Sheets called for above are missing, they must be located. If they cannot be found, request replacements for whichever is missing from **L.S.P.**

These supplemental Instruction Sheets will be necessary for proper installation and maintenance of the **UNIT**, always keep them attached to these Instructions.

**NOTE:**  
These Instructions cover three different Model Units. Most of the data herein pertains to all; however, should a paragraph only pertain to specific Models, that paragraph will begin "**Only for Model No....**" and give the respective Model Number(s) for that **UNIT**.

## INSTALLATION INSTRUCTIONS

### A. Installing the Actuator

See the Instruction Sheet for the **ACTUATOR** you have chosen to use. Follow the given **INSTALLATION INSTRUCTION** supplied with that **ACTUATOR**.

If you have no **ACTUATOR**, see the **ACCESSORIES** Section of the **MacroSpray** Instruction Sheet for a list of those available.

### B. Installing the UNIT

See the **MacroSpray's** Instruction Sheet under the heading **Installing the MacroSpray**.

#### 1. Locating the UNIT

Consider the suggestions given for the **MacroSpray** under the similar heading. The same applies for this **UNIT**.

#### 2. Mounting the UNIT

**Only for Model No. P750-B.** Drill and tap for four 1/4-20 screws on center with the holes in the **MOUNTING PLATE**.

Use the **SPACING WASHERS** supplied to keep the **PLATE** away from the mounting surface (done to relieve for protrusions on the back side of the **PLATE**).

Insert screws through the holes and washers, and torque securely into the tapped holes.

**Only for Model No. P775-B.** The **UNIT** can be simply set into place on the feet provided by the **RESERVOIR**, or can be mounted on a wall using the holes provided in the tabs of the **RESERVOIR**.

For wall mounting; drill and tap for two 1/4-20 screws on center with holes in **RESERVOIR**. Insert screws and torque.

### C. Installing the Fluid Supply

**Only for Model No. P750-B.** See the **MacroSpray's** Instruction Sheet under the similar heading. Use the appropriate area in the instructions (for using a **RESERVOIR** or **PUMP**).

**Only for Model No. P775.** A **RESERVOIR** is included with this **UNIT**, which is simply filled with the lubricant.

### D. Installing Air Supply

See the **MacroSpray's** Instruction Sheet under the same heading. The same principles apply for this **UNIT**.

The **AIR FILTER/REGULATOR/LUBRICATOR** which is recommended in the Instruction is included with this **UNIT**. The **AIR SUPPLY** is to be connected at it's **AIR INLET PORT** as illustrated.

### E. Installing the Distribution System

See the **MacroSpray's** Instruction Sheet under the same heading. The same principles apply for this **UNIT**.

## REPLACEMENT PARTS LISTING

### MAIN PARTS LIST (reference Figure #1) for the MacroSpray Modules

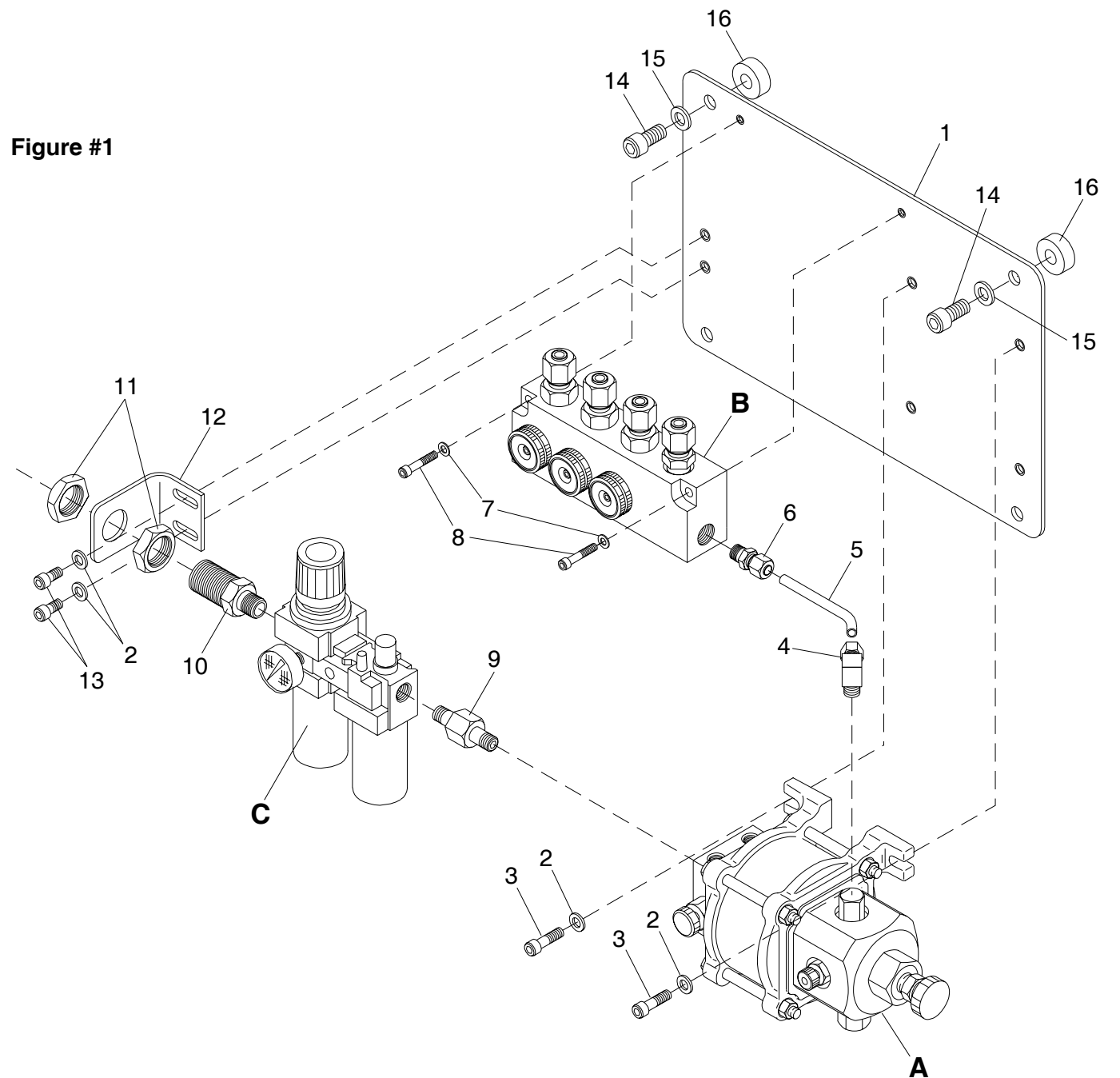
Key Part No.	No. Number	Description	No. Pcs -or- Part Name
1	PLT065	PLATE,Mounting:	1
2	WAS016	WASHER,Plain: 3/8"	6
3	SCR078	SCREW,Cap:	4
4	FIT070	FITTING,Elbow:	1
5	TUB303	TUBE,Copper:	1
6	FIT071	FITTING,Adapter:	1
7	WAS001	WASHER,Lock:#10	2
8	SCR023	SCREW,Cap:	2
9	459BRK04	BRACKET ASSY:union	1
10	ADP067	ADAPTER,Mounting:	1
11	NUT169	NUT,Jam:special	2
12	BRK041	BRACKET,Mount:	1
13	SCR077	SCREW,Cap:	2
14	SCR079	SCREW, Cap:	4
15	WAS017	WASHER, Plain: 1/2"	4
16	SPC018	SPACER,Mounting:	4
A	250JT02	MacroSpray Unit	1
B	290MAN08	On/Off Manifold	1
C	REG008	Air Regulator/Oiler	1

### Supplemental Parts Listings

The parts below are further broken down in Supplemental Parts Listings and Illustrations

Key Part No.	Description	Listing Reference
A	MacroSpray	See Instruction Sheet for the MacroSpray Model P175-B
B	Manifold	On/Off Manifold Model P934
C	Air Handling	See the Parts Listing "B" and Figure #2

Figure #1

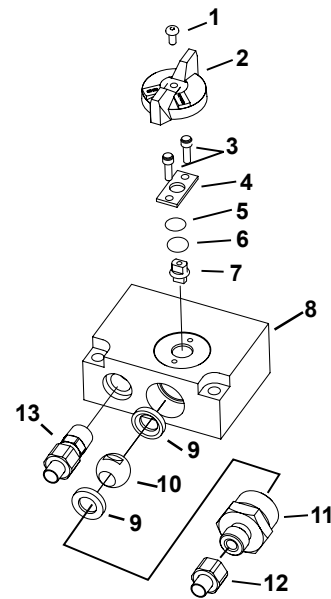


To eliminate redundant parts in the drawing we have used the 2 port Manifold in place of the 4 port manifold. Just one valve system is shown in place of three valve systems.

### PART LIST "B" 290-MAN-10 Manifold Assembly

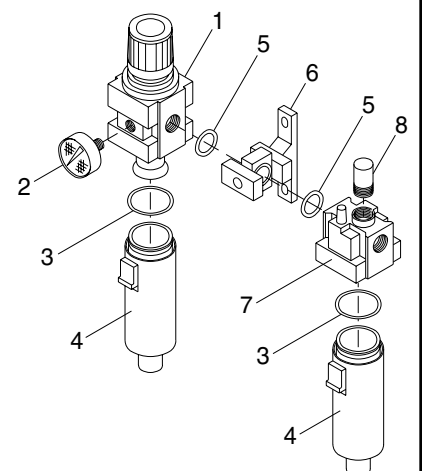
(reference Figure #2)

Key Part No.	No. Number	Description	No. Pcs -or-Part Name
1	SCR-060	SCREW, Button Head	3
2	MLD-051	MOLDING, Knob: small	3
3	SCR-086	SCREW, Cap: soc hd.	6
4	PLT-071	PLATE, Retainer: small	3
5	RGB-032	RING, Backup: solid	3
6	RGO-057	RING, "O": seal.	3
7	STM-002	STEM, Valve: on/off.	3
8	HSG-227	HOUSING, Valve.	1
9	SET-036	SEAT, Valve: on/off	6
10	BAL-052	BALL, Valve: on/off.	3
11	OUT-014	OUTLET, Valve: 1/4 comp	3
12	FIT-017	CAP, 1/4 comp.	3
13	FIT-021	FITTING, Adapter	1



### PART LIST "C" REG-018 Air Handling Includes all except GAU-002 (reference Figure #2)

Key Part No.	No. Number	Description	No. Pcs -or- Part Name
1	ACY035	BONNET,Regulator:	1
2	GAU002	GAUGE,Pressure:	1
3	ACY088	RING,"O" type:seal	2
4	ACY017	BOWL,Filter/Oiler:	2
5	ACY076	RING,"O" type:seal	2
6	ACY034	ACCESSORY, Spacer:brk	1
7	ACY036	BONNET,Oiler:	1
8	ACY022	DOME,Oiler:	1



## OPERATING INSTRUCTIONS

All operation concerning the spraying of the lubricant is the same as described in the **MacroSpray's OPERATING INSTRUCTION**. Follow the instructions given therein.

All operation concerning the control of the **UNIT** is described in the **OPERATING INSTRUCTIONS** for the chosen **ACTUATOR**. Follow the instructions given therein.

## TROUBLESHOOTING

See the appropriate **TROUBLESHOOTING INSTRUCTIONS** for the **MacroSpray** or **ACTUATOR** depending on the type of problem to be solved.

Use the **REPLACEMENT PARTS LISTING** at the left and at the back for parts not found in the other Instructions.